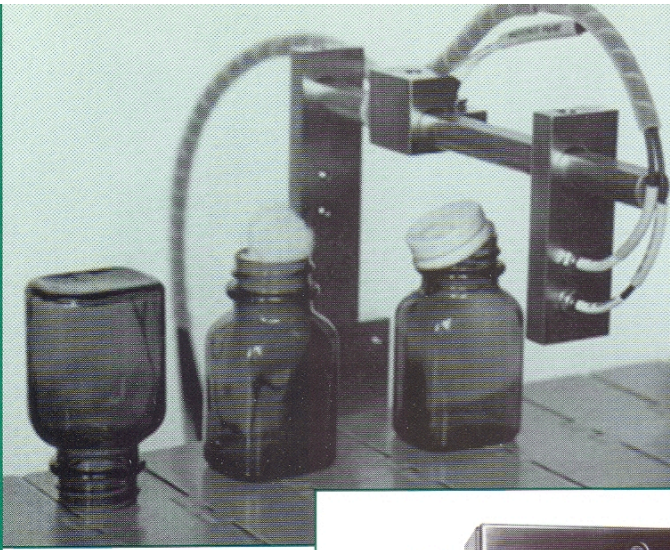


# INSPECTOR

from **APPS**  
inc.



*The screen displays production information and set-up parameters. The key switch activates sensor calibration.*

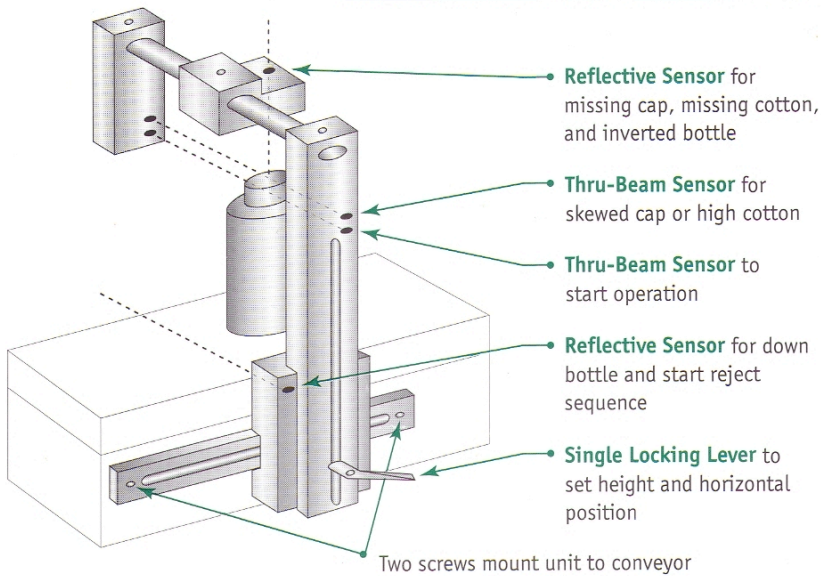


The **INSPECTOR**® from **APPS**, Inc. provides on-line inspection for bottle orientation, cotton and cap placement and features one-step automatic sensor calibration, and a digital user interface.

Features of the **INSPECTOR**® include:

- Self Teaching Sensor Calibration
- Adjustable for a Wide Range of Bottle Sizes
- PLC Logic Controller with Digital Display
- Self-Contained Stainless Steel Enclosure
- Small Size (10" x 8" x 6")
- 110 Vac Power
- Standard with Pressure Regulator and Gauge
- Reject by either Air Blast or Air Cylinder
- Contact Closure to Stop Process for Exceeding Trend Limit or Total Limit

## MONITORING SYSTEM DETAIL



*As the diagram to the left illustrates, the sensor layout assures that the bottle failing inspection is the bottle that is rejected.*

*Contact APPS, Inc.  
for solutions to  
your bottle  
inspection problems.*



180 Boulder Drive  
Fitchburg, Massachusetts 01420  
TEL: (978) 342-0019  
FAX: (978) 342-0284  
E-MAIL: [stange@gis.net](mailto:stange@gis.net)